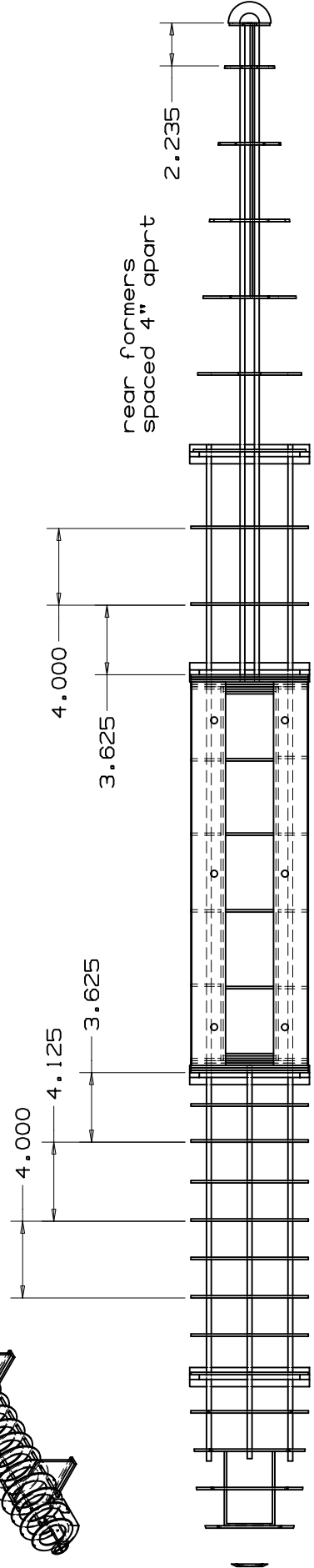


XB36 Fuselage

Designed by:

Michael L. Roerig
 5510 Feather Court
 White Bear, MN 55110
 mikroerig@juno.com



top view

right view

The front landing gear mount is moved forward to F4 on the XB36. It is located at F7 for the B-36.

For the XB36, I added formers between F8 & F9 * F10 & F11

