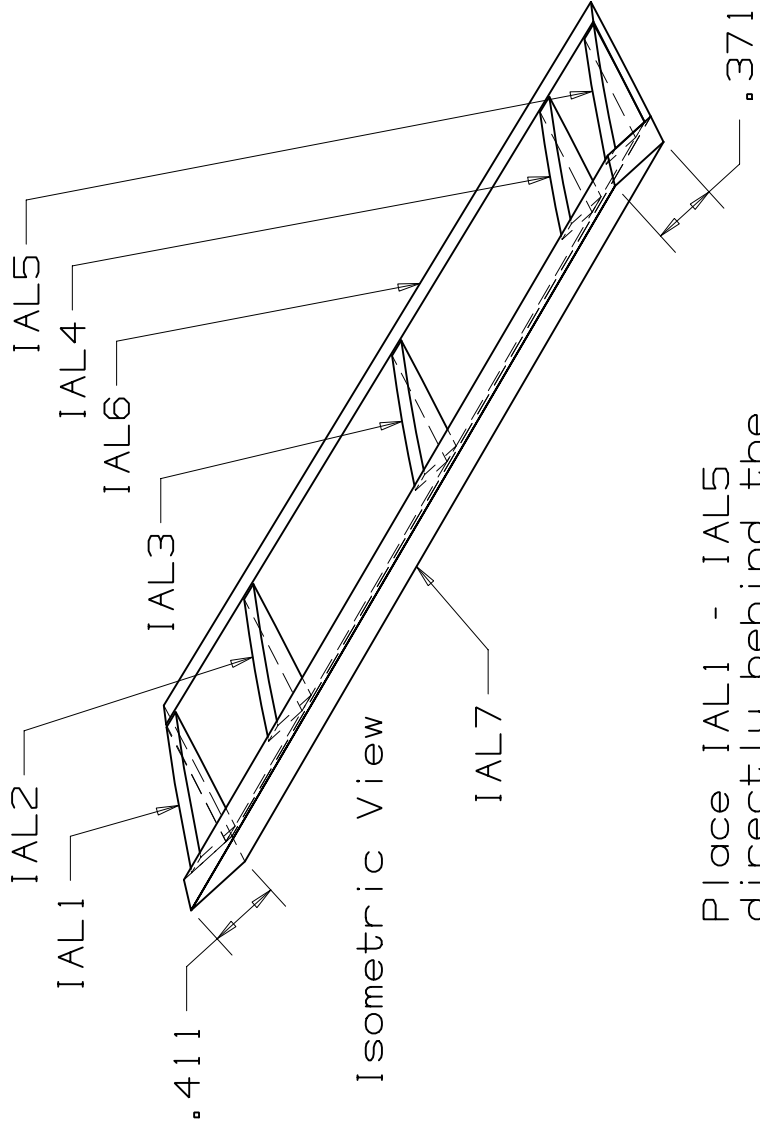


XB-36
 Inner Aileron Left Wing
 Designed by:
 Michael L. Roerig
 5510 Feather Court
 White Bear, MN 55110
 mikeroerig@juno.com



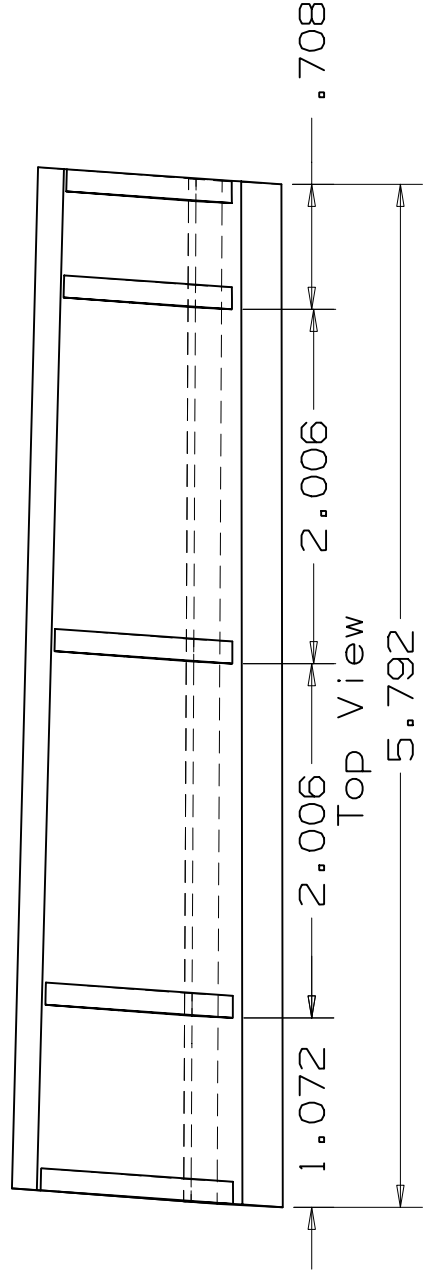
Right View



Isometric View

The cover for the inner aileron is not shown. Adhere an oversized piece of 1/16" balsa to the top of the aileron and sand it flush with edges of aileron.

Place IAL1 - IAL5 directly behind the corresponding wing ribs.



Top View